

COFIX SYSTEM

TECHNICAL DATA SHEET

COFIX SYSTEM is a heat-shrinkable product enabling spacing to be created between several drains. This spacing, created by a spacer, completely eliminates the risk of contact between the items to be separated.

Cofix system offers a simple and fast solution to spacing problems.

ADAPTABILITY

Cofix System can be adapted to all types of drains - rubber, thermoplastic, metal, etc. - and remains flexible after installation.



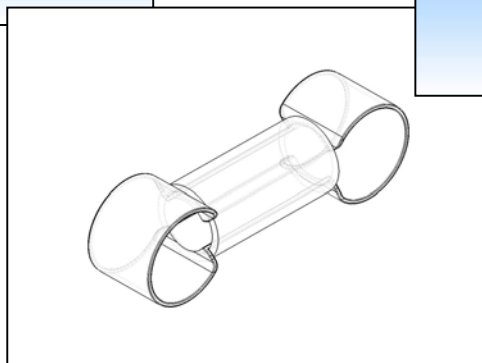
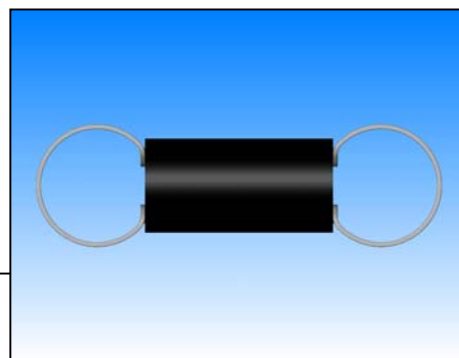
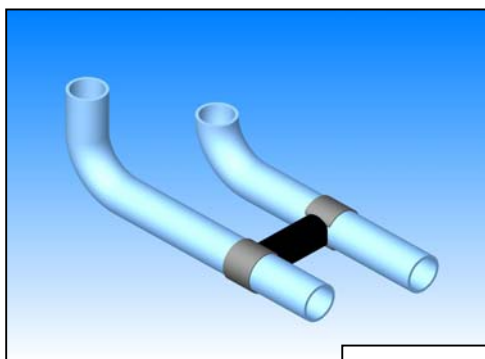
COFIX SYSTEM

IMPLEMENTATION

Cofix system does not require any specific tools and is simple to implement. It can be easily retracted using standard processes such as a hot air gun, shrink tunnel, drying oven, etc.

The **Cofix system** is designed to be implemented in concurrent time and ensures components adhere permanently to each other.

This tailor-made product is created to order according to your specifications. We will determine the system best suited to your needs, depending on the application and environment in which it will be used.



FTE – Cofix – 57/a – 04/04

We certify that the values provided are as accurate as possible. Use of these values, however, remains the sole responsibility of the customer and cannot in any way substitute for testing the product under real conditions of use. The user must assess whether this product is suitable for a particular use. Gremco shall not be held responsible for any loss or anomaly resulting from the correct or incorrect use of this product.